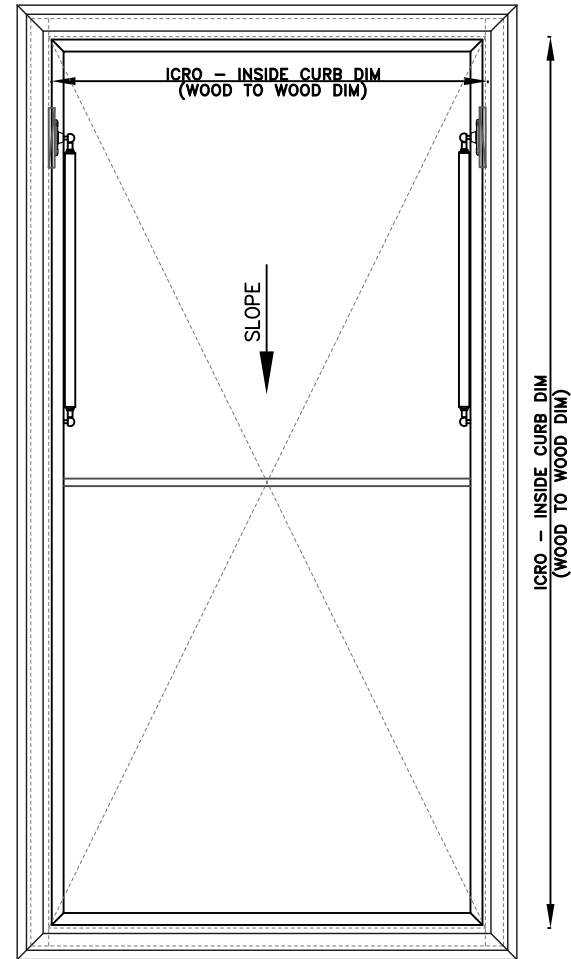
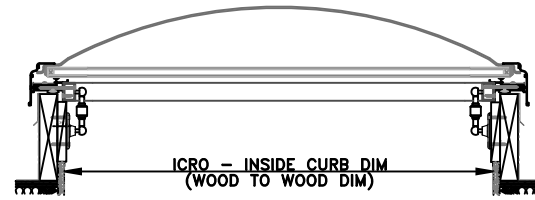
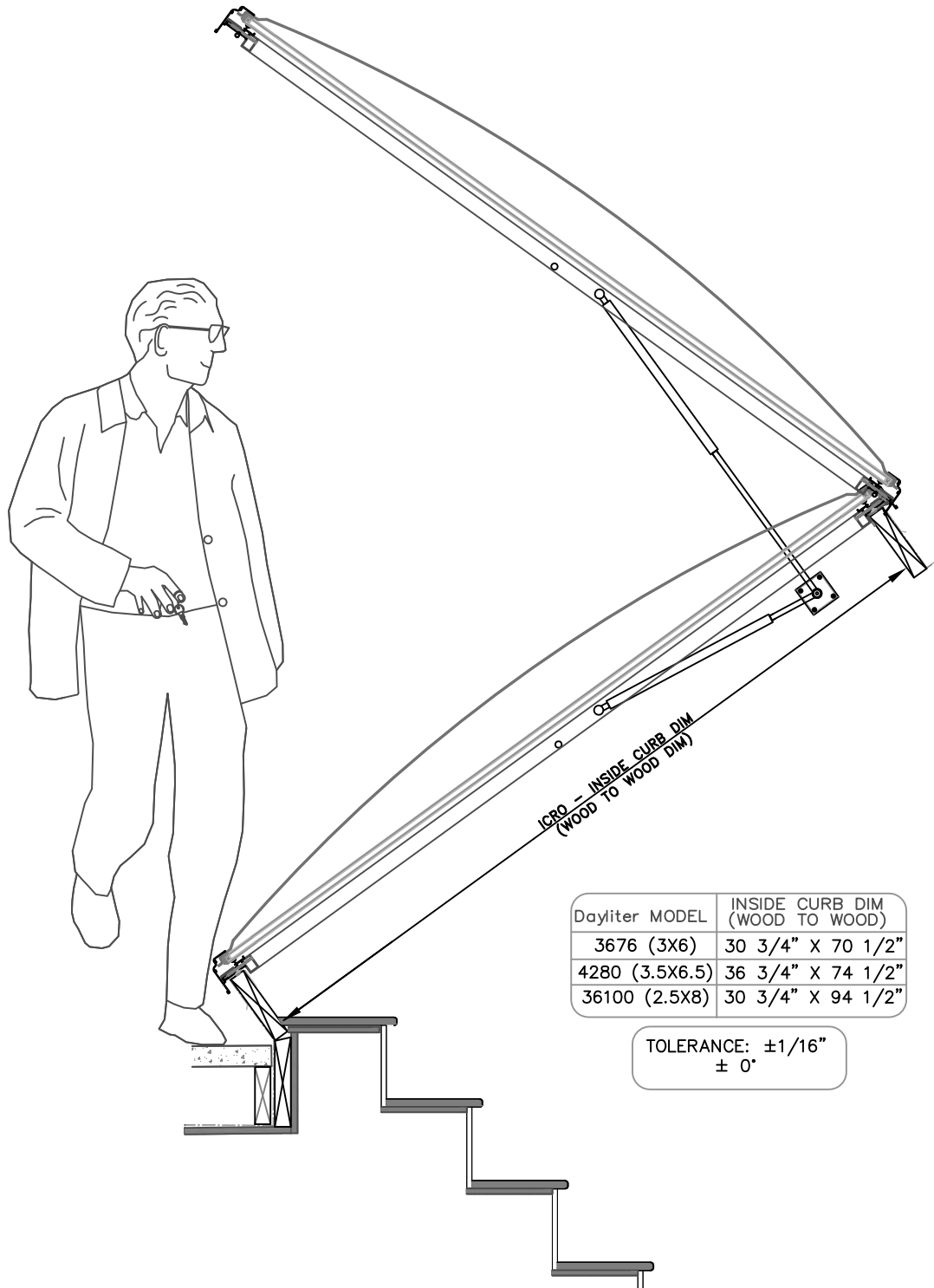


TECH BRIEF #16
Insulite Roof Doors



Dayliter MODEL	INSIDE CURB DIM (WOOD TO WOOD)
3676 (3X6)	30 3/4" X 70 1/2"
4280 (3.5X6.5)	36 3/4" X 74 1/2"
36100 (2.5X8)	30 3/4" X 94 1/2"

TOLERANCE: $\pm 1/16"$
 $\pm 0"$